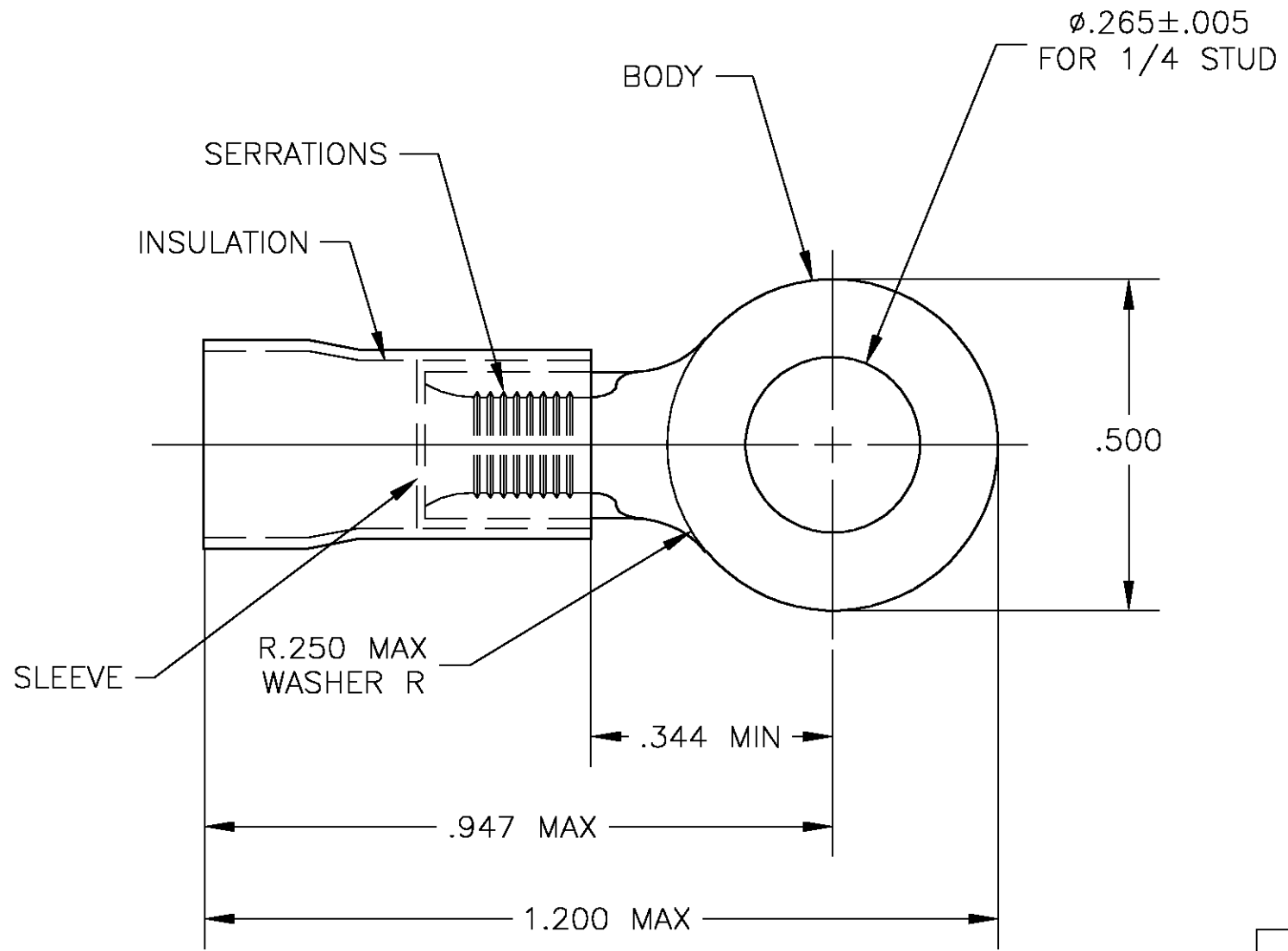


THIS DRAWING IS UNPUBLISHED. RELEASED FOR PUBLICATION  
 © COPYRIGHT BY TYCO ELECTRONICS CORPORATION. ALL RIGHTS RESERVED.

LOC	DIST	REVISIONS					
		P	LTR	DESCRIPTION	DATE	DWN	APVD
G	14		K	REV PER 0G3A-0747-03	20NOV03	JR	MS

- 1 FOR .150 TO .215 WIRE INSULATION DIA.
- 2 TONGUE THICKNESS IS .049±.002.
- △3 REPLACED BY 35628



<div style="border: 1px solid black; padding: 2px; display: inline-block;">OBSOLETE</div> <del>2-35628-1</del> △3	BODY: COPPER PER ASTM B-152 ANNEALED TIN PLATE PER ASTM B-545 INSULATION: PVC, COLOR-YELLOW SLEEVE: COPPER PER ASTM B-152 ANNEALED	35628-0
	P/N ON TAPE	MATERIAL & FINISH

THIS DRAWING IS A CONTROLLED DOCUMENT.		DWN	JR RUTH	20NOV03	Tyco Electronics Corporation Harrisburg, PA 17105		
DIMENSIONS: INCHES		CHK	MJ SPICER	20NOV03			
		TOLERANCES UNLESS OTHERWISE SPECIFIED:		APVD	PLASTI-GRIP, RING TONGUE, WIRE SIZE: 16-14HD		
		0 PLC ± -		1 PLC ± -	PRODUCT SPEC		
		2 PLC ± -		2 PLC ± -	APPLICATION SPEC		
		3 PLC ± .008		3 PLC ± .008	SIZE		
		4 PLC ± -		4 PLC ± -	CAGE CODE		
		ANGLES ± 1'		ANGLES ± 1'	DRAWING NO		
MATERIAL		FINISH		WEIGHT		RESTRICTED TO	
-		-		-		-	
CUSTOMER DRAWING					SCALE	4:1	SHEET 1 OF 1
					SIZE	A3	CAGE CODE
					DRAWING NO	C-35628	REV
					REV	K	